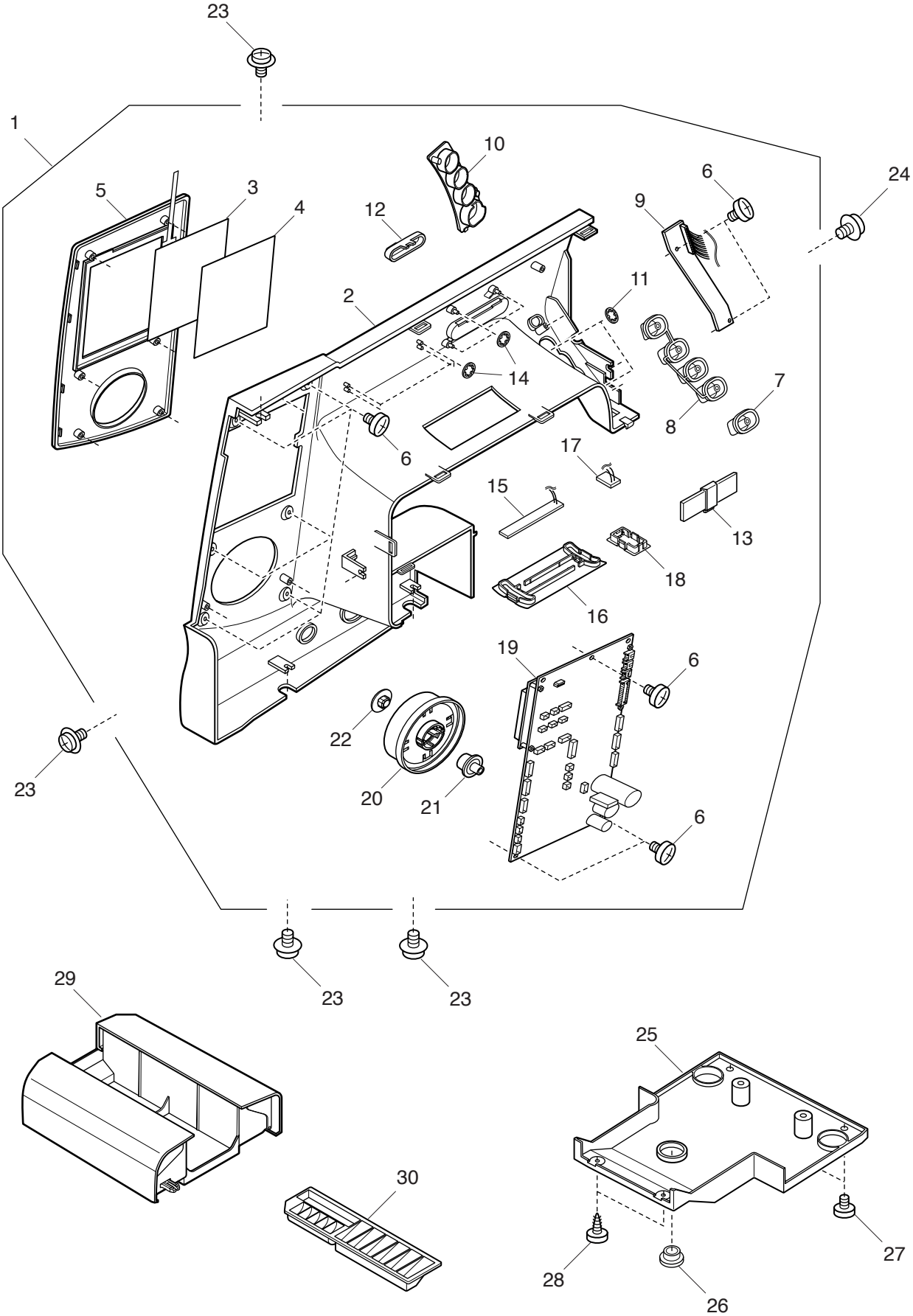


PARTS LIST

MODEL:MC7700QCP

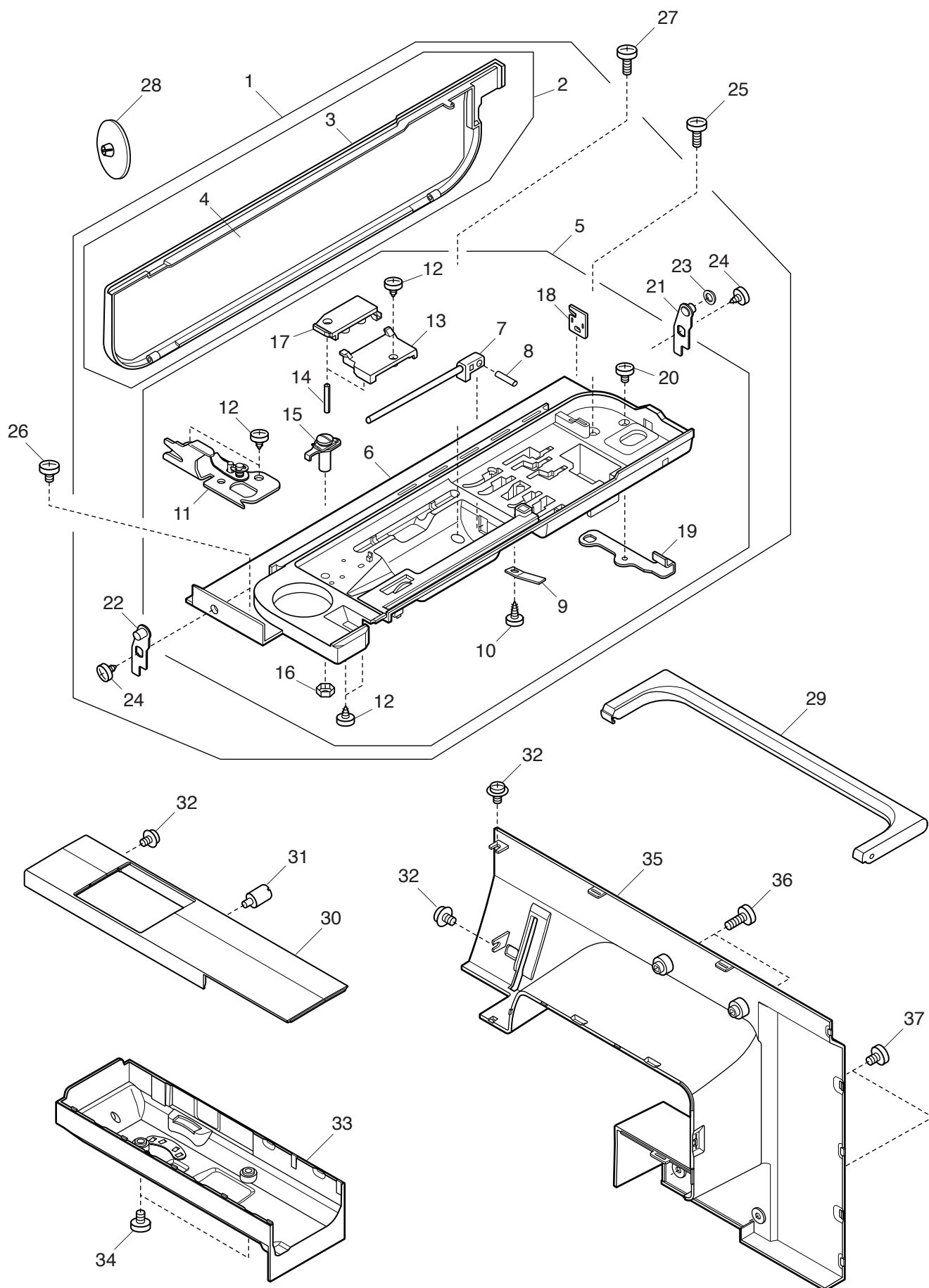
PARTS LIST



PARTS LIST

KEY NO.	PARTS NO.	DESCRIPTION
1	858636004	Front cover (unit)
2	858099102	Front cover
3	852504004	Touch panel (unit)
4	858100004	Touch panel sheet
5	858101108	Touch panel cover
6	000120203	Setscrew 3x8 (B)
7	858102109	Start/stop button
8	858103100	Function button
9	858504002	Printed circuit board F (unit)
10	858104008	Button cover
11	000014007	Snap ring CS-4
12	858105009	Slide volume
13	653507266	Slide volume (unit)
14	000014306	Snap ring CS-3
15	858502103	Printed circuit board L1 (unit)
16	858106000	LED cover 2
17	858511002	Printed circuit board L2 (unit)
18	860167006	Lamp cover 2
19	858508006	Printed circuit board A (unit)
20	858107001	Jog dial
21	858108002	Jog dial button
22	858123003	Cap
23	000115205	Setscrew TP 4x6
24	000114710	Setscrew TP 3x6
25	858137000	Machine base
26	626045407	Cap
27	000081005	Setscrew 4x8
28	000161206	Setscrew 3x10 (B)
29	858501009	Extension table (unit)
30	858122002	Foot tray

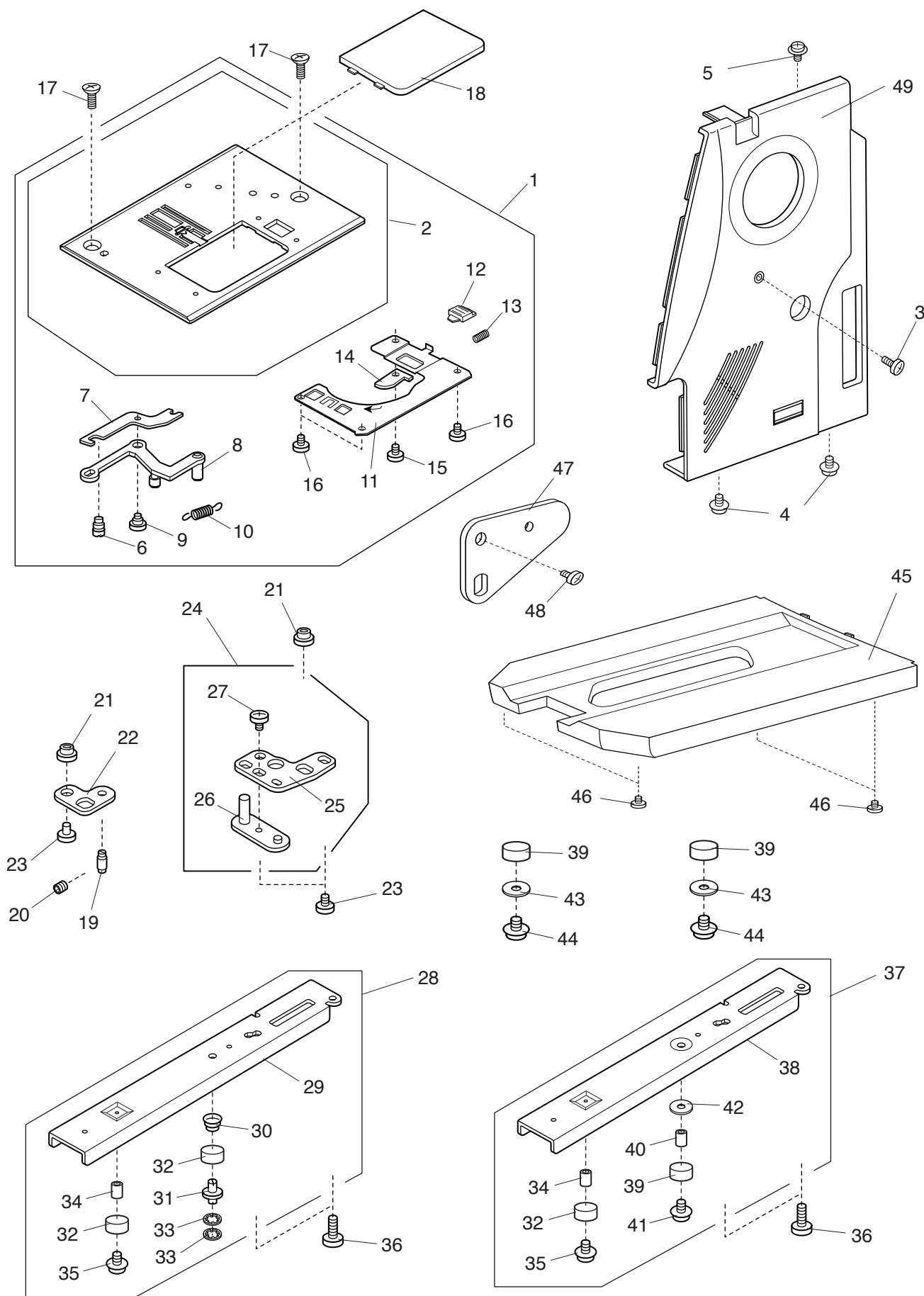
PARTS LIST



PARTS LIST

KEY NO.	PARTS NO.	DESCRIPTION
1	858607006	Top cover (unit)
2	858608007	Top cover (unit)
3	858020009	Top cover
4	858021000	Quick reference chart
5	858609008	Top cover body (unit)
6	858022001	Top cover body
7	822016609	Spool pin
8	822017002	Spool pin shaft
9	822018003	Spool pin spring
10	000107204	Setscrew 3x12 (B)
11	853507000	Thread guide (unit)
12	000107307	Setscrew 3x8 (B)
13	853008006	Thread guide cover
14	000020202	Spring pin
15	830503005	Bobbin winder thread guide (unit)
16	000160102	Ajustable lock nut 4
17	830011001	Bobbin winder thread guide cover
18	830505007	Thread cutter (unit)
19	830012013	Bobbin winder stopper
20	000103819	Setscrew 3x5
21	858023002	Top cover hinge (right)
22	858023105	Top cover hinge (left)
23	503169002	Washer
24	000120203	Setscrew 3x8 (B)
25	000080901	Setscrew 4x25
26	000066705	Setscrew 3x8
27	000170507	Setscrew 4x12
28	822020503	Spool holder
29	858024003	Carrying handle
30	858004007	Free arm cover
31	858165007	Pin
32	000115205	Setscrew TP 4x6
33	858005008	Bed cover
34	000081005	Setscrew 4x8
35	858006102	Rear cover
36	000101806	Setscrew 4x16
37	000101415	Setscrew 4x6

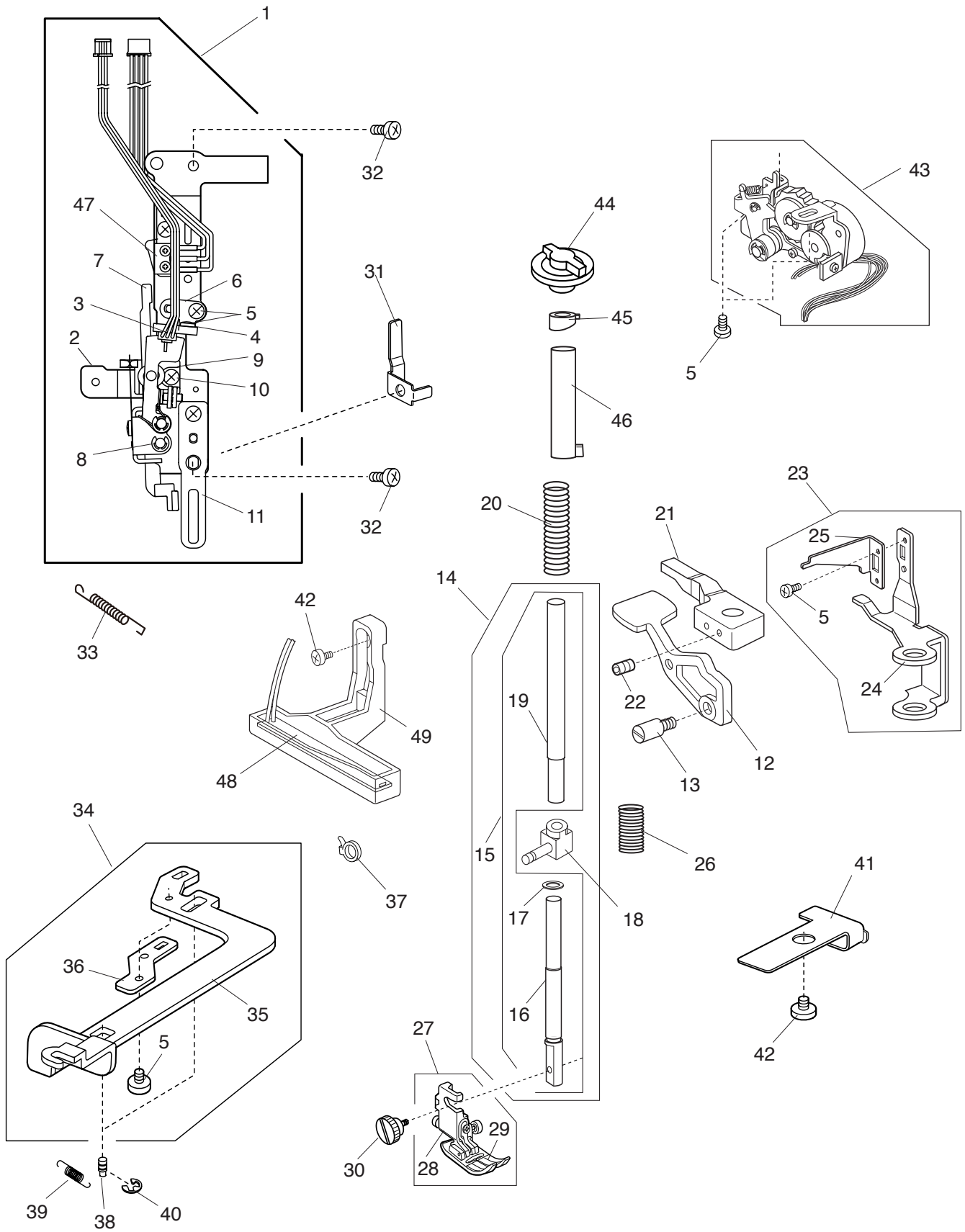
PARTS LIST



PARTS LIST

KEY NO.	PARTS NO.	DESCRIPTION
1	858603002	Needle plate (unit)
2	858604003	Needle plate (unit)
3	000103222	Setscrew 4x30
4	000115205	Setscrew TP 4x6
5	000114710	Setscrew TP 3x6
6	844085009	Pin
7	858013009	Needle plate lever cushion
8	858014000	Needle plate lever
9	844031000	Setscrew
10	844032001	Spring
11	846030005	Hook cover plate supporter
12	825016000	Hook cover plate release button
13	825017001	Spring
14	846222109	Rotation stopper
15	000097613	Setscrew 2x4
16	820374004	Setscrew 2x2.3
17	820390109	Needle plate setscrew
18	846271103	Hook cover plate
19	860002002	Needle plate positioning pin
20	000111201	Hexagonal socket screw 4x4
21	822314002	Nut
22	860003025	Needle plate nut set plate
23	810220106	Setscrew
24	858643004	Needle plate set plate (right) (unit)
25	858133006	Needle plate set plate (right)
26	860005005	Needle plate adjusting plate
27	000103808	Setscrew 3x5
28	858601000	Arm sole (front cover side) (unit)
29	858002005	Arm sole
30	858162004	Spring
31	820350004	Adjusting screw
32	605074008	Rubber foot
33	000014409	Snap ring CS-8
34	000141107	Bushing
35	000119106	Setscrew TP 4x10
36	000100702	Setscrew 6x10
37	858601103	Arm sole (rear cover side) (unit)
38	858002108	Arm sole
39	797363005	Rubber foot
40	000139504	Bushing
41	000115700	Setscrew TP 4x10
42	858149005	Spacer
43	000070300	Washer 5
44	784169009	Rubber foot setscrew
45	858003109	Base cover
46	000161206	Setscrew 3x10 (B)
47	858114001	Belt cover retaining plate
48	000081005	Setscrew 4x8
49	858115105	Belt cover

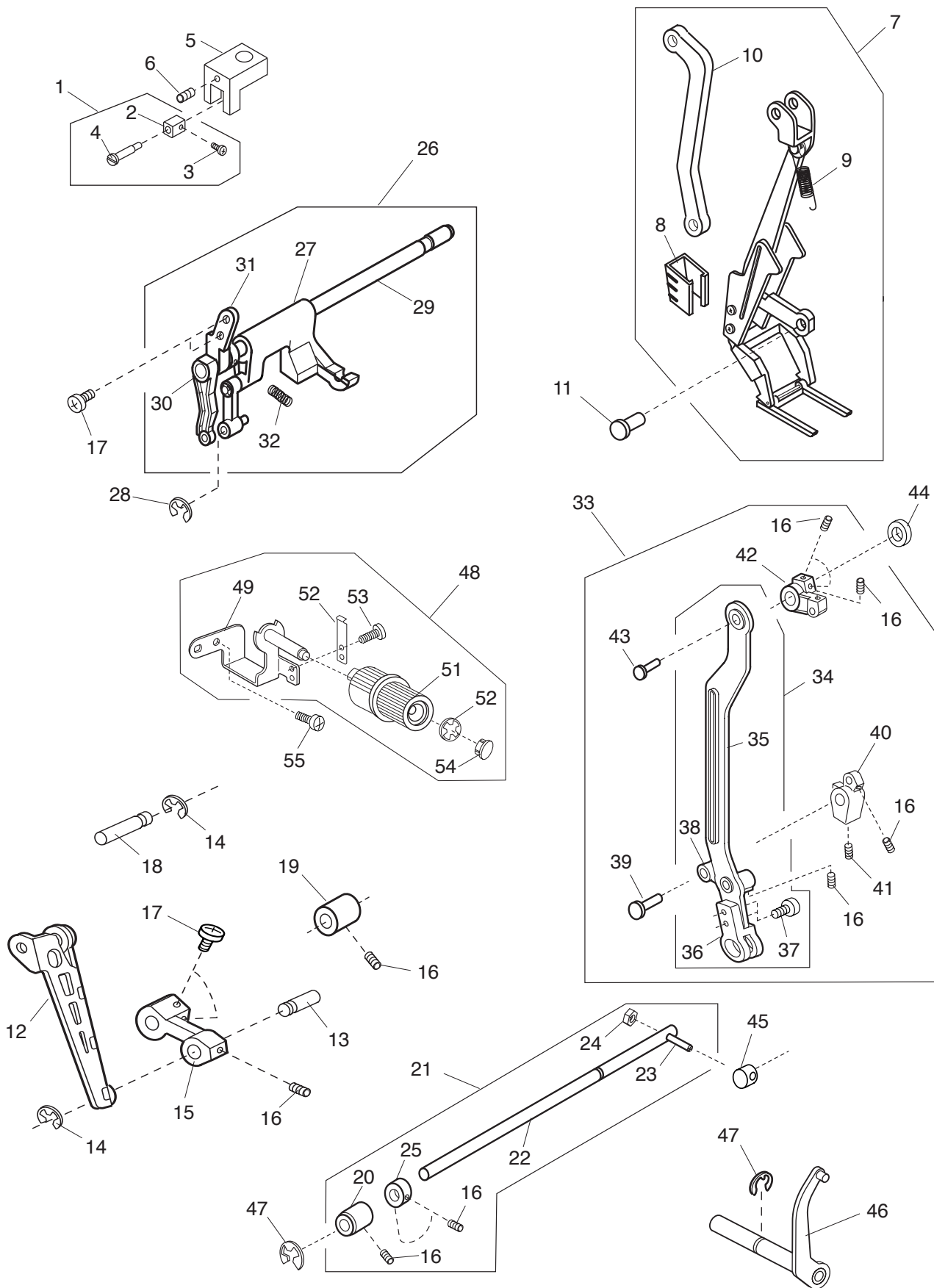
PARTS LIST



PARTS LIST

KEY NO.	PARTS NO.	DESCRIPTION
1	858612004	Front bracket (unit)
2	858031003	Front bracket
3	852502909	Printed circuit board G1 (unit)
4	853028002	Insulation sheet
5	000101105	Setscrew 3x4
6	846044002	Sensor base plate
7	843625107	Buttonhole lever (unit)
8	000002105	Snap ring
9	830057021	Buttonhole lever guide
10	000103808	Setscrew 3x5
11	846371012	Rotation stopper
12	858027006	Presser foot lifter
13	846333001	Setscrew 1
14	846659006	Presser bar (unit)
15	846554000	Presser bar (unit)
16	846361008	Presser bar (lower)
17	846369006	Washer
18	846322007	Upper and lower feed connecting block
19	846362009	Presser bar (upper)
20	858029008	Presser bar spring
21	846330008	Presser bar supporter
22	000111201	Hexagonal socket screw 4x4
23	858611003	Presser bar lifter (unit)
24	858030002	Presser bar lifter
25	846344005	Presser foot lifter switch plate
26	846366014	Support spring
27	846573005	Presser foot (unit)
28	846572004	Presser foot holder
29	832523007	Zigzag foot
30	846380003	Thumbscrew
31	846385008	Cushion
32	000081005	Setscrew 4x8
33	844038018	Needle bar supporter spring
34	858605004	Automatic plate converter driving plate (unit)
35	858015001	Automatic plate converter driving plate
36	858016002	Automatic plate converter adjusting plate
37	000053008	Cord binder
38	858169001	Pin
39	858017003	Driving plate spring
40	000001207	Snap ring E-2.5
41	858160002	Support plate
42	000078319	Setscrew 3x6
43	858606005	Automatic plate converter motor (unit)
44	858136009	Presser foot pressure adjusting dial
45	858155004	Presser foot pressure adjusting cam
46	858028007	Presser bar bushing
47	858613005	Micro switch (unit)
48	858502000	Printed circuit board L1 (unit)
49	858033005	LED cover 1

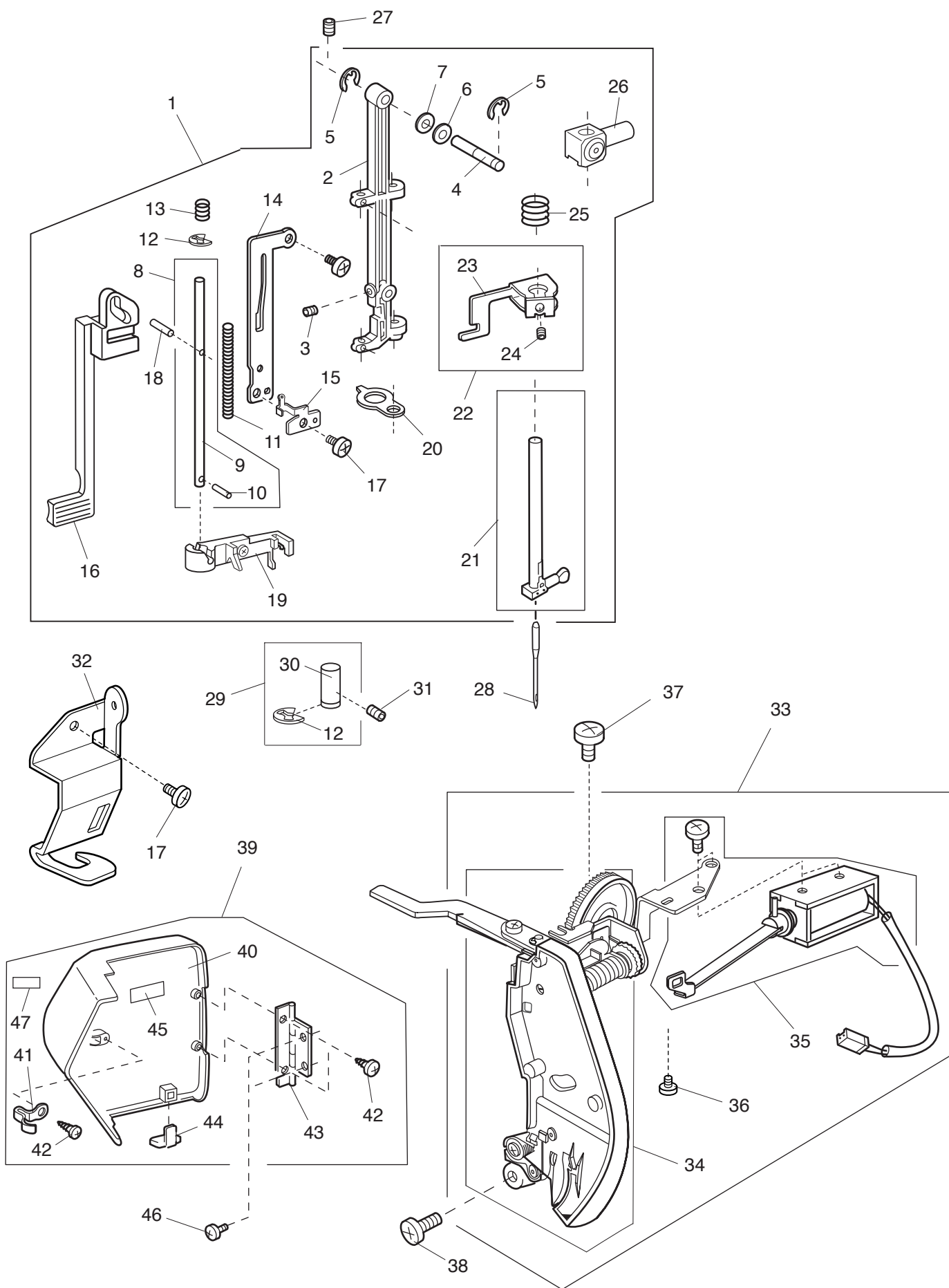
PARTS LIST



PARTS LIST

KEY NO.	PARTS NO.	DESCRIPTION
1	846660000	Block (unit)
2	846367004	Block
3	000102807	Setscrew 2x4
4	846368005	Rotation stopper screw
5	846370000	Rotation stopper (1)
6	000177205	Hexagonal socket screw 3x6
7	846678023	Upper feed dog (unit)
8	846329004	Holder cover
9	846342003	Spring
10	846321006	Upper and lower feed connecting plate
11	846327002	Pin (1)
12	858068009	Feed connecting link
13	502258006	Connecting pin
14	000002507	Snap ring E-4
15	846304106	Upper feed lower shaft front arm
16	000111201	Hexagonal socket screw 4x4
17	000103509	Setscrew 4x10
18	502258109	Connecting pin
19	784071003	Looper shaft bushing
20	846303002	Upper feed lower shaft bushing
21	858624009	Upper feed lower shaft (unit)
22	858069000	Upper feed lower shaft
23	846306005	Upper feed lower shaft rear arm
24	000061102	Nut 4-1-7
25	820166001	Lower shaft ring
26	846584102	Upper feed upper shaft (unit)
27	846677011	Upper feed driving arm (unit)
28	000002105	Snap ring E-3
29	858026005	Upper feed upper shaft
30	846312004	Upper feed upper shaft front arm
31	846310002	Upper feed shaft supporter
32	858163005	Spring
33	846580005	Upper feed adjusting arm (unit)
34	846577009	Upper feed connecting link (unit)
35	846309008	Upper feed connecting link
36	846307006	Connecting link
37	000066705	Setscrew 3x8
38	846349000	Upper feed adjusting link
39	820144003	Pin
40	846350004	Upper feed adjustibg arm (1)
41	000111304	Hexagonal socket screw 5x5
42	846308007	Upper feed upper shaft rear arm
43	820144003	Pin
44	822070003	Felt
45	846348009	Rear arm feed lifting roller
46	858070004	Upper feed adjusting arm 2
47	000002806	Snap ring E-6
48	858625000	Upper feed adjusting base plate (uint)
49	858072006	Upper feed adjusting base plate
50	846351005	Upper feed adjusting dial
51	000014007	Snap ring CS-4
52	846353007	Dial leaf
53	000101105	Setscrew 3x4
54	653006101	Cap
55	000081005	Setscrew 4x8

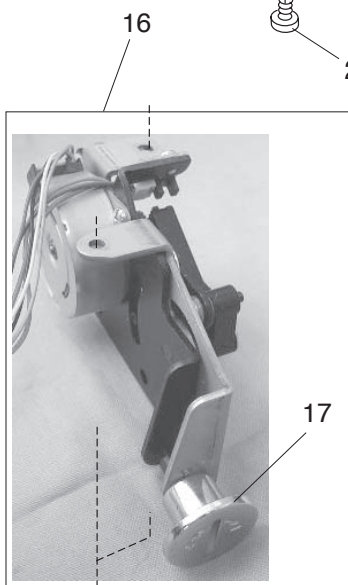
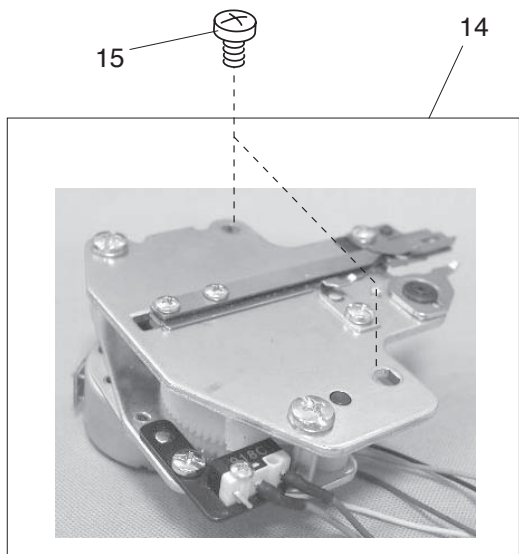
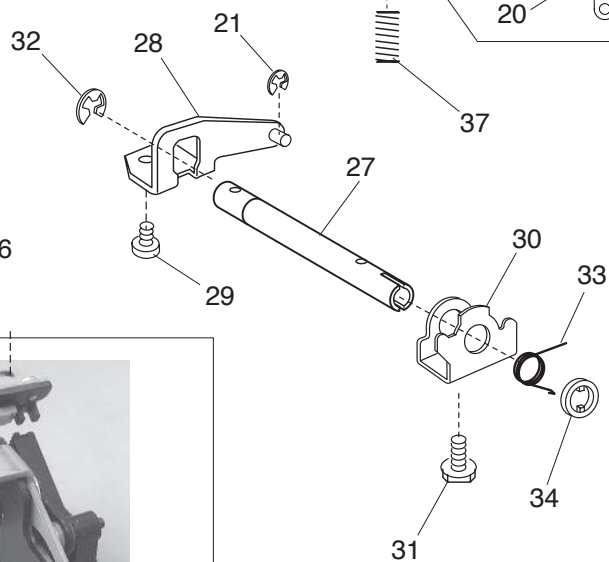
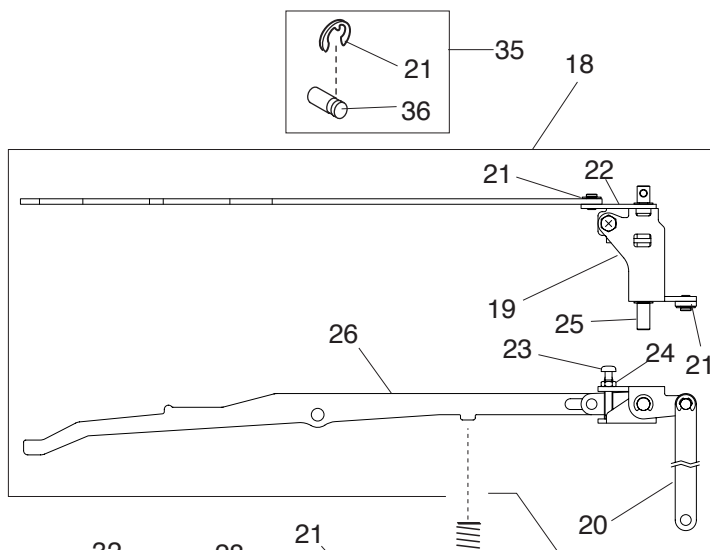
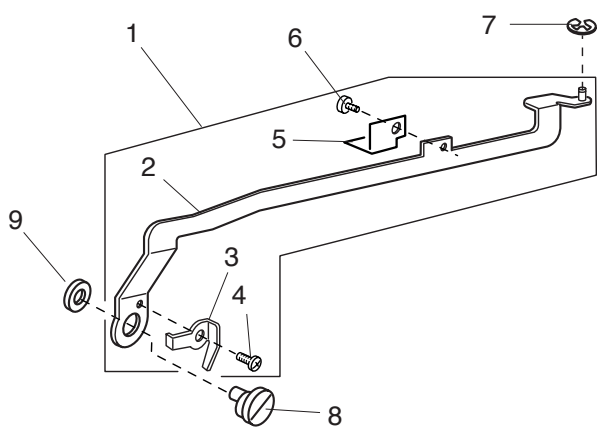
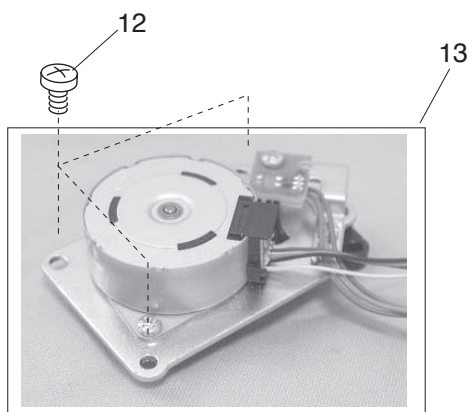
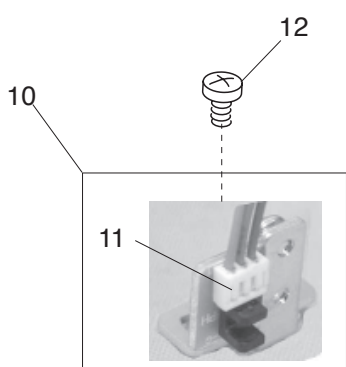
PARTS LIST



PARTS LIST

KEY NO.	PARTS NO.	DESCRIPTION
1	858614006	Needle bar supporter (unit)
2	846047005	Needle bar supporter
3	000111902	Hexagonal socket screw 3x4
4	735144006	Needle bar supporter pin
5	000002507	Snap ring e-4
6	000070609	Washer
7	673022002	Washer
8	846612100	Threader shaft (unit)
9	846048028	Threader shaft
10	000003508	Knock pin
11	842090001	Needle threader spring
12	000002105	Snap ring-3
13	842096007	Threader lever spring
14	842091002	Threader guide plate
15	844036027	Threader lever plate
16	842092003	Threader lever
17	000078319	Setscrew 3x6
18	000125105	Pin
19	846588014	Threader guard plate (unit)
20	829027006	Supporter guide plate
21	846613204	Needle bar (unit)
22	807607008	Threader position setting plate (unit)
23	807018006	Threader position setting plate
24	000111902	Hexagonal socket screw 3x4
25	858172007	Needle bar supporter spring
26	846515009	Needle bar supporter (unit)
27	000111201	Hexagonal socket screw 4x4
28	102408089	Needle HA1-14
29	842625001	Supporter guide pin (unit)
30	827083004	Supporter guide pin
31	000216805	Hexagonal socket screw 3x3
32	858048003	Arm thread guide
33	858615007	Thread tension (unit)
34	858503001	Thread tension (unit)
35	834604205	Solenoid (unit)
36	000101105	Setscrew 3x4
37	000081005	Setscrew 4x8
38	000101703	Setscrew 4x12
39	858610002	Face plate (unit) (U.S.A.)
	858610208	Face plate (unit) (Australia) (UK) (Continental Europe)
	858610105	Face plate (unit) (Canada)
40	858025107	Face plate
41	850013005	Face plate spring
42	000161206	Setscrew 3x10
43	851503103	Face plate hinge
44	840602006	Thread cutter (unit)
45	830312016	Caution sticker (U.S.A)
	100045000	Caution sticker (Canada)
46	000081119	Setscrew 4x6
47	100517008	Caution sticker (Canada)

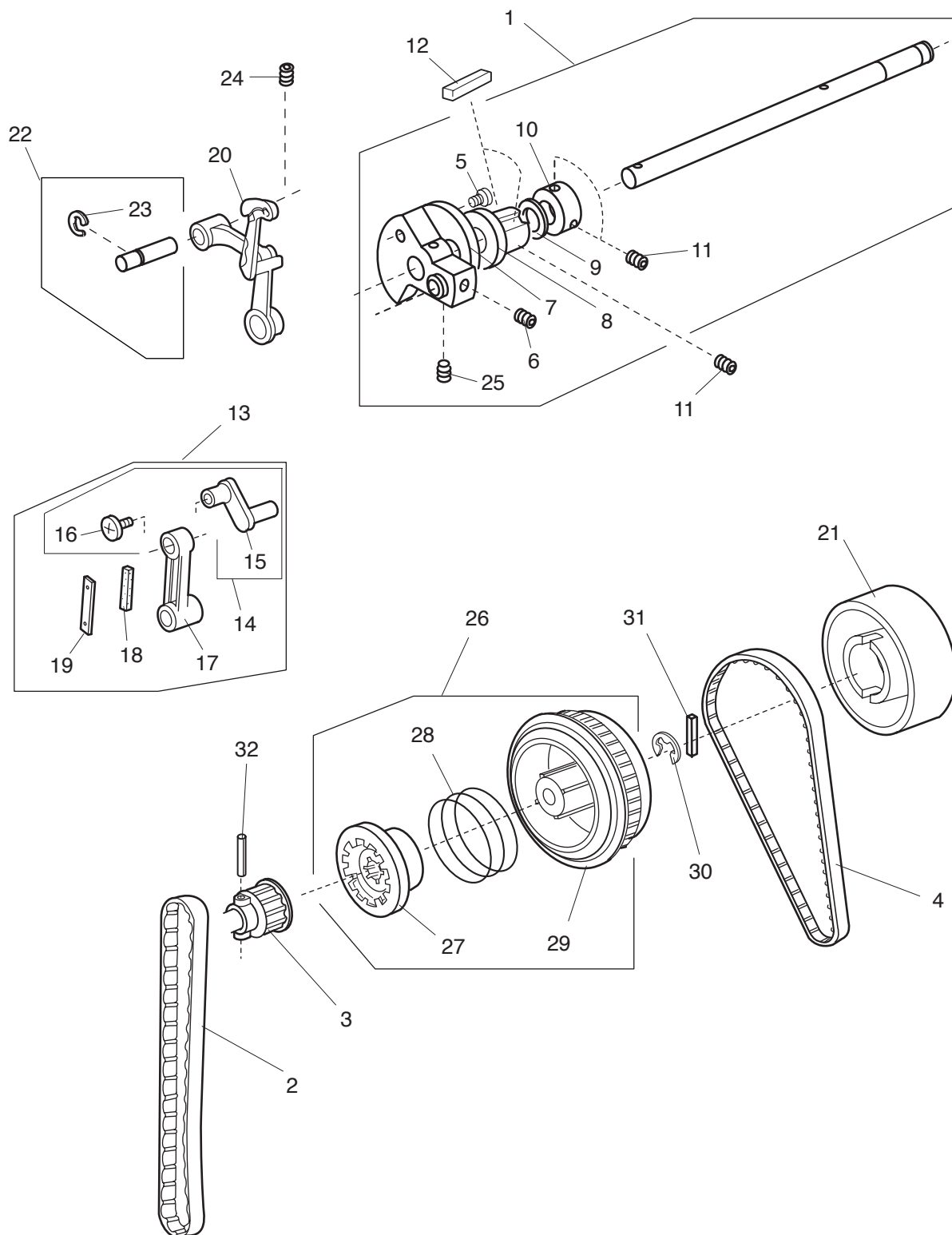
PARTS LIST



PARTS LIST

KEY NO.	PARTS NO.	DESCRIPTION
1	858629004	Zigzag width rod (unit)
2	858078002	Zigzag width rod
3	827088009	Zigzag width rod spring
4	820373003	Setscrew 2x3
5	858079003	Center needle position detecting sensor plate
6	000097406	Setscrew 3x3
7	000002105	Snap ring E-3
8	678084007	Eccentric pin
9	653037008	Washer
10	858638006	Center needle position detecting sensor
11	852502013	Printed circuit board G1(unit)
12	000081005	Setscrew 4x8
13	858628003	Zigzag width motor (unit)
14	858630008	Automatic thread cutter (unit)
15	000101404	Setscrew 4x6
16	858627002	Feed motor (unit)
17	858075009	Feed balancing dial
18	858633001	Knee lifter link (unit)
19	858092002	Knee lifter link (1)
20	858093003	Knee lifter rod
21	000002507	Snap ring E-4
22	858094004	Knee lifter link (2)
23	000175111	Setscrew 4x25
24	000061205	Nut 4
25	858095005	Knee lifter link shaft
26	858096006	Knee lifter lever
27	858088005	Knee lifter shaft
28	858089006	Knee lifter shaft arm
29	000102003	Setscrew 5x10
30	858090000	Knee lifter stopper
31	000138503	Hexagonal socket screw 5x12
32	000002208	Snap ring E-9
33	858091001	Knee lifter stopper spring
34	846297002	Stopper
35	858649000	Knee lifter lever shaft (unit)
36	858098008	Knee lifter lever shaft
37	858097007	Knee lifter lever spring

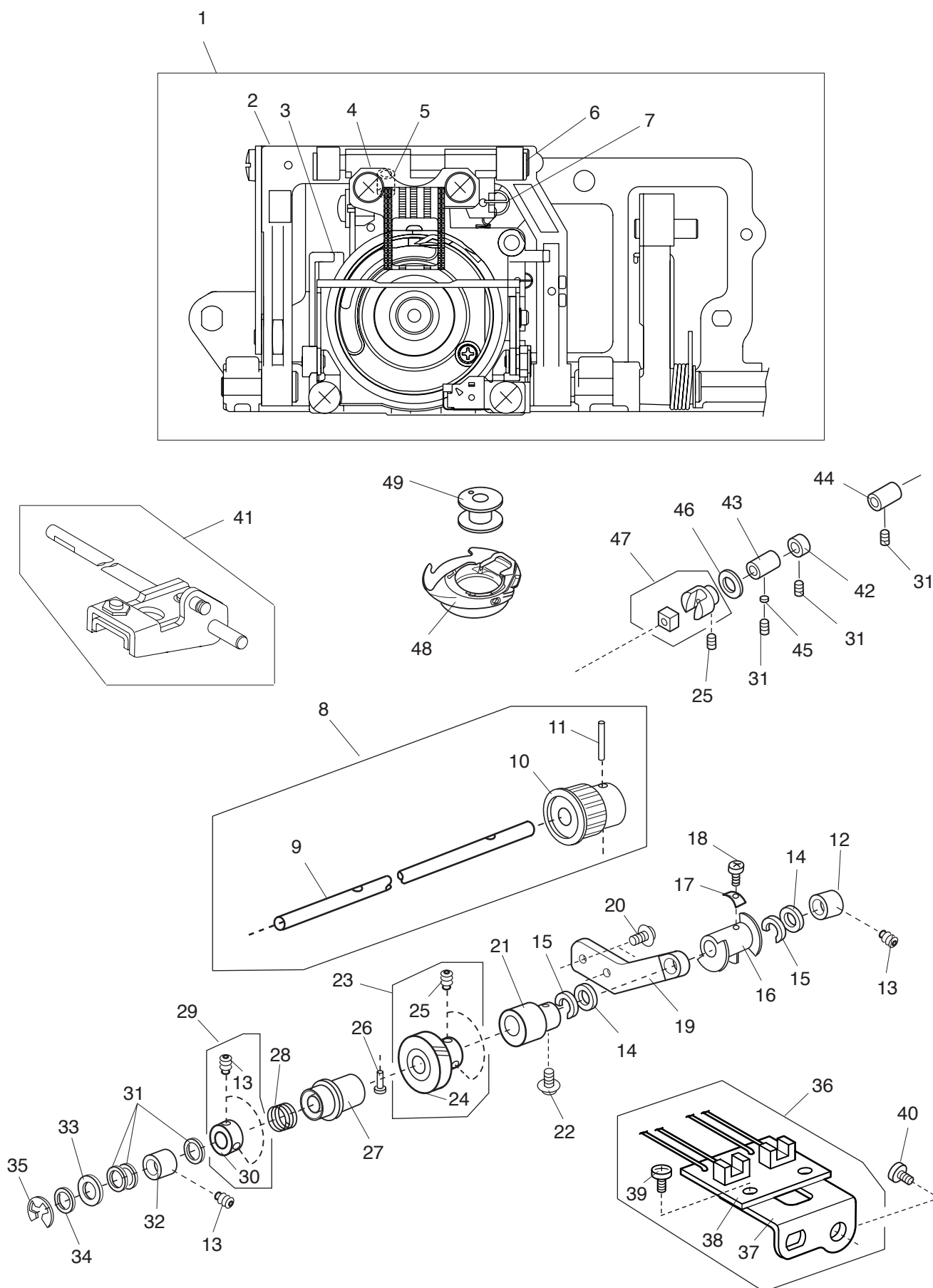
PARTS LIST



PARTS LIST

KEY NO.	PARTS NO.	DESCRIPTION
1	858617009	Upper shaft (unit)
2	846098001	Timing belt
3	858052000	Upper shaft gear
4	858118005	Timing belt
5	000078319	Setscrew 3x6
6	000110901	Hexagonal socket screw 5x4
7	846314109	Upper feed lifting cam
8	670079201	Upper shaft front bushing
9	000040105	Washer
10	767077006	Ring
11	000111304	Hexagonal socket screw 5x5
12	731312005	Felt
13	846615103	Needle bar crank (unit)
14	843543007	Needle bar crank pin (unit)
15	652143005	Needle bar crank pin
16	647139002	Needle bar crank pin knob
17	650039001	Needle bar crank rod
18	650040005	Felt
19	650041006	Spring
20	820511108	Thread take-up lever (unit)
21	858055003	Handwheel
22	650626001	Thread take-up lever pin (unit)
23	000002806	Snap ring E-6
24	000111201	Hexagonal socket screw 4x4
25	000111706	Hexagonal socket screw 5x8
26	858647008	Belt wheel (unit)
27	858053001	Clutch ring
28	502065004	Clutch spring
29	858054002	Belt wheel
30	000030009	Snap ring E-10
31	000024206	Pin 3x30
32	000004303	Pin 3x20

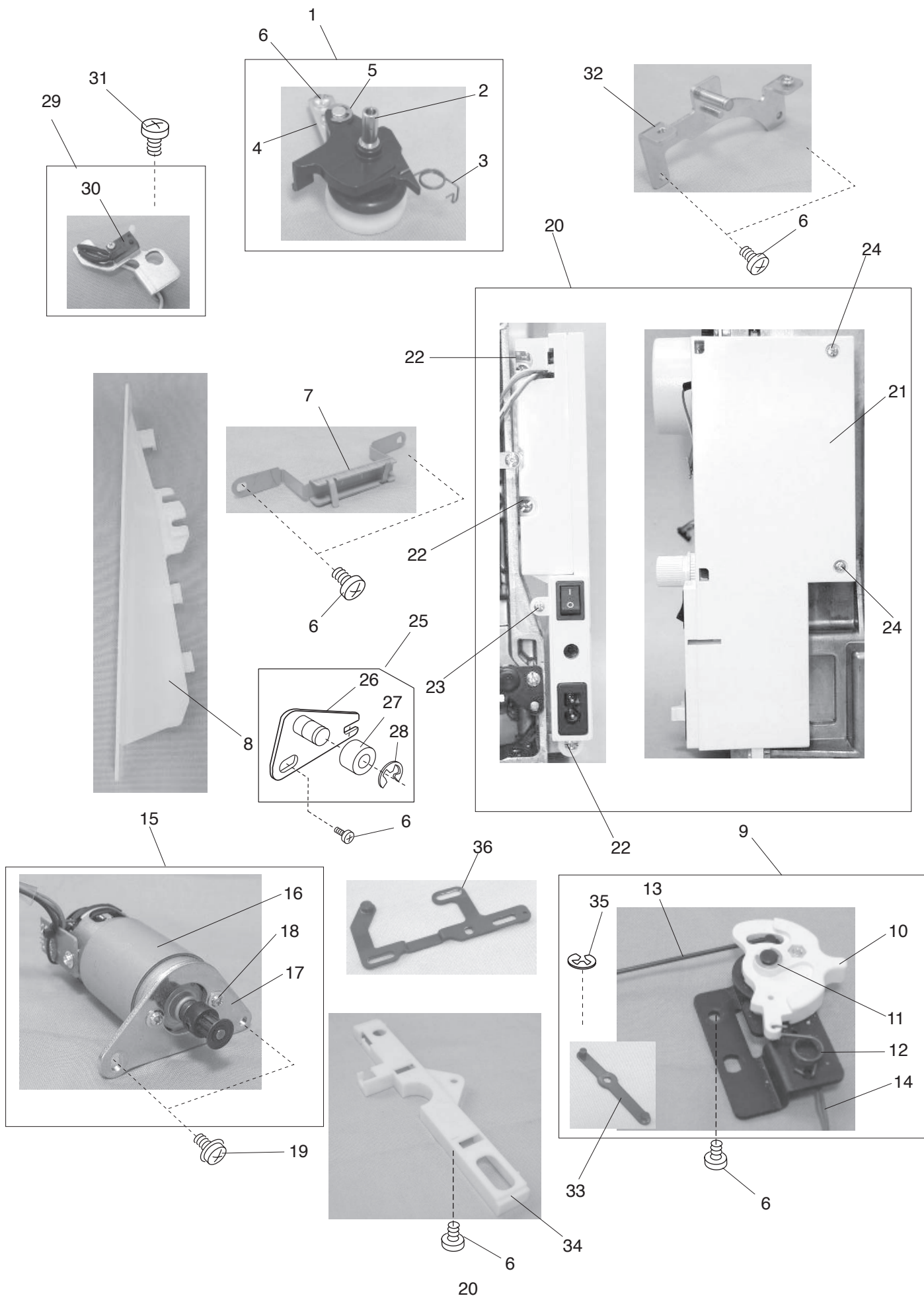
PARTS LIST



PARTS LIST

KEY NO.	PARTS NO.	DESCRIPTION
1	858620005	Feed lock shaft (unit)
2	858621006	Feed lock shaft (unit)
3	858622007	Hook race (unit)
4	846651204	Feed dog set base (unit)
5	825099007	Feed dog base shaft
6	000111407	Hexagonal socket scew 4x6
7	825103005	Feed base spring
8	858618000	Lower shaft (unit)
9	858056004	Lower shaft
10	650073007	Lower gear
11	000004200	Feed dog base shaft
12	650079003	Lower shaft bushing (rear)
13	000111201	Hexagonal socket screw 4x4
14	822070003	Felt
15	822112008	Felt holder
16	846101008	Lower shaft shielding plate
17	846192006	Washer
18	000080406	Setscrew 3x10
19	858058006	Lower shaft supporter
20	000115700	Setscrew TP 4x10
21	846379009	Feed cam
22	000149600	Setscrew 3x14
23	850687006	Lower shaft gear (unit)
24	650955002	Lower shaft gear
25	000111304	Hexagonal socket screw 5x5
26	820161006	Feed lifting pin
27	846103000	Feed lifting cam
28	825093001	Feed lifting cam spring
29	820672005	Lower shaft ring (unit)
30	820166001	Lower shaft ring
31	000038502	Washer
32	858060001	Lower shaft bushing (front)
33	735143005	Felt
34	000071507	Washer
35	000002806	Snap ring E-6
36	858619001	Lower shaft sensor (unit)
37	858061002	Sensor set plate
38	843505904	Printed circuit board P (unit)
39	000101105	Setscrew 3x4
40	000101404	Setscrew 4x6
41	858626001	Feed shaft (unit)
42	820387000	Ring
43	625144002	Feed shaft bushing (rear)
44	650092002	Feed shaft bushing (front)
45	650175000	Cushion
46	823110009	Felt
47	625508008	Feed regulator (unit)
48	846652009	Bobbin holder (unit)
49	102261103	Bobbin

PARTS LIST

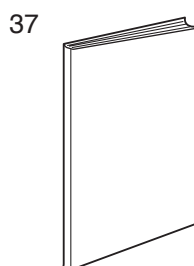
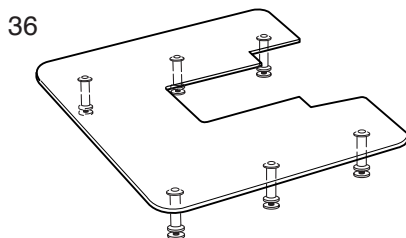
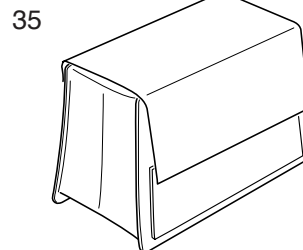
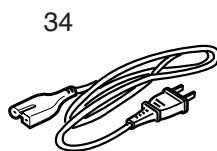
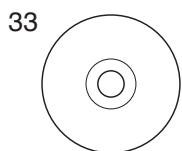
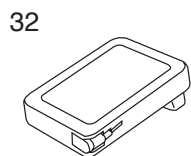
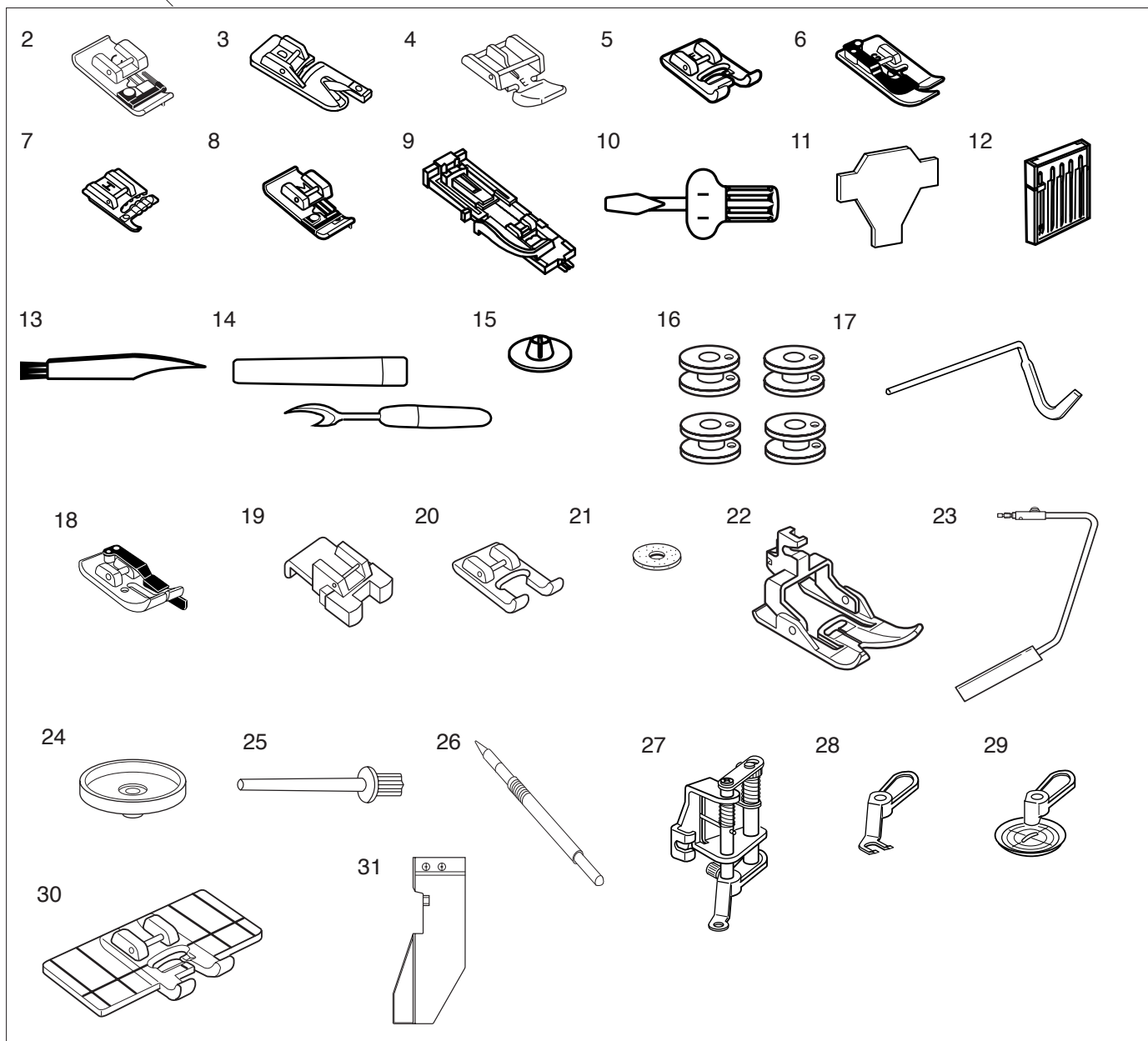


PARTS LIST

KEY NO.	PARTS NO.	DESCRIPTION
1	858637005	Bobbin winder (unit)
2	858509007	Bobbin winder (unit)
3	858174009	Bobbin winder arm spring
4	858111008	Bobbin winder set plate
5	000001609	Snap ring E-5
6	000081005	Setscrew 4x8
7	858113000	Cord guide
8	858145001	Cord guide plate
9	858645006	Feed dog drop lever (unit)
10	858143009	Feed dog drop lever
11	000002507	Snap ring E-4
12	823119008	Spring
13	858140006	Rod
14	846513904	Micro switch (unit)
15	858639007	DC moter (unit)
16	843518302	DC moter (unit)
17	858117004	DC moter set plate
18	000115009	Set screw TP 3x8
19	000115607	Set screw TP 4X8
20	858640001	Switching power supply (unit) (U.S.A.) (Canada)
	858640104	Switching power supply (unit) (Australia) (UK) (Continental Europe)
21	858120000	Switching power supply plate
22	000103509	Setscrew 4x10
23	000161206	Setscrew 3x10
24	000119704	Setscrew 3x14
25	860608004	Idler (unit)
26	860021007	Idler base
27	625217100	Idler
28	000002806	Snap ring E-6
29	858646007	Bobbin winder switch (unit)
30	852510405	Micro switch (unit)
31	000101404	Setscrew 4x6
32	858112009	Rear set plate
33	858139002	Drop connecting block
34	858159008	Cord guide 2
35	000002105	Snap ring E-3
36	858138001	Drop plate

PARTS LIST

1



PARTS LIST

KEY NO.	PARTS NO.	DESCRIPTION
1	858870002	Accessories (unit)
2	822801001	Overcasting foot C
3	820809014	Rolled hem foot D
4	829801002	Zipper foot E
5	822804129	Satin stitch foot F
6	825817009	Blind hemming foot G
7	820819006	Cording foot H
8	822808008	Overedge foot M
9	753801004	Automatic buttonhole foot R
10	820832005	Screwdriver
11	653802002	Screwdriver key
12	820827007	Set of needles
13	802424004	Lint brush
14	647808009	Seam ripper (Buttonhole opener)
15	822019509	Spool holder (small)
16	102261103	Bobbins
17	802422002	Quilting guide bar
18	858812006	1/4" seam foot O2
19	802406011	Button sewing foot T
20	832427103	Open toe satin stitch foot F2
21	102403109	Felt cushion
22	846570013	Dual feed foot AD
23	846417011	Knee lifter
24	829803004	Spool stand
25	625031500	Additional spool pin
26	860194002	Touch panel stylus
27	202001117	Convertible free motion quilting foot QB-H
28	202002406	Open-toe foot
29	202002509	Clear view foot
30	200434106	Border guide foot
31	858401008	Cloth guide
32	043271133	Foot control
33	858804005	Instructional DVD
34	856519004	Power cable (U.S.A.) (Canada)
	830314018	Power cable (Australia)
	830377008	Power cable (UK)
	830335004	Power cable (Continental Europe)
35	858802003	Semi-hard fabric cover
36	489710007	Extra wide table
37	858800001	Instruction book (English)
	858800204	Instruction book (French)
	858800182	Instruction book (Dutch)
	858800171	Instruction book (German)
	858800193	Instruction book (Italian)
	858800104	Instruction book (Russian)
	858800218	Instruction book (Swedish)
	858800229	Instruction book (Norwegian)
	858800230	Instruction book (Danish)
	858800137	Instruction book (Finnish)
	858800241	Instruction book (Portuguese)
	858800252	Instruction book (Spanish)